

**PLEASE CHECK WWW.MOLEX.COM FOR LATEST PART INFORMATION**

**Part Number:** **0511631000**  
**Status:** **Active**  
**Description:** 2.50mm (.098") Pitch Wire-to-Board Receptacle Housing, Positive Lock, With Retainer, 10 Circuits

**Documents:**

3D Model  
Drawing (PDF)  
Product Specification PS-51163-001 (PDF)

Product Specification PS-51163-002 (PDF)  
RoHS Certificate of Compliance (PDF)

**Agency Certification**

CSA LR19980  
UL E29179

**General**

Product Family Crimp Housings  
Series 51163  
Product Name N/A

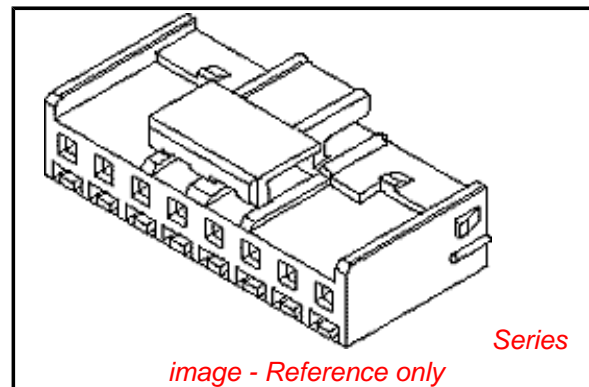
**Physical**

Circuits (maximum) 10  
Color - Resin Natural  
Flammability 94V-0  
Gender Female  
Glow-Wire Compliant No  
Material - Resin Polyester  
Number of Rows 1  
Packaging Type Bag  
Panel Mount No  
Pitch - Mating Interface (in) 0.098 In  
Pitch - Mating Interface (mm) 2.50 mm  
Stackable No  
Temperature Range - Operating -40°C to +105°C

**Material Info**

**Reference - Drawing Numbers**

Product Specification PS-51163-001, PS-51163-002, RPS-51103-047, RPS-51103-050, RPS-51163-001, RPS-51163-002, RPS-51163-003  
Sales Drawing SD-51163-\*\*00, SD-51163-001



**EU RoHS**

**ELV and RoHS Compliant**  
**REACH SVHC Contains SVHC: No**  
**Halogen-Free Status**

**Not Reviewed**

**Need more information on product environmental compliance?**

Email [productcompliance@molex.com](mailto:productcompliance@molex.com)  
For a multiple part number RoHS Certificate of Compliance, [click here](#)

Please visit the [Contact Us](#) section for any non-product compliance questions.

**China RoHS**



**Search Parts in this Series**

51163Series

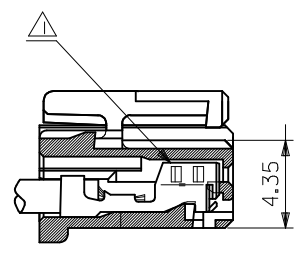
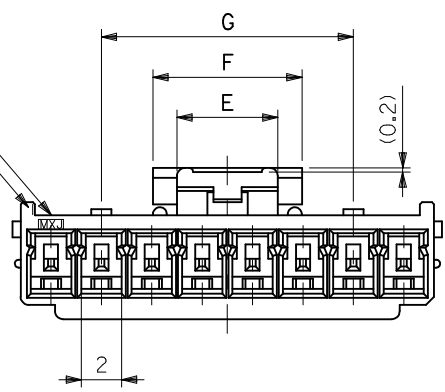
**Mates With**

53375 , 53426

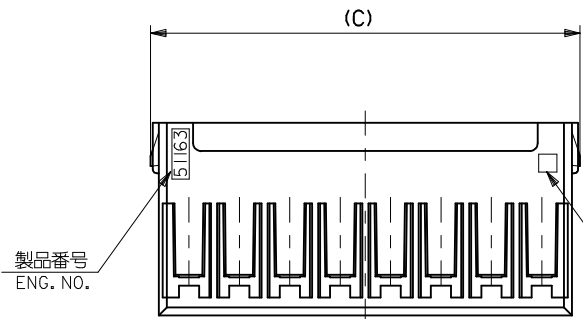
**Use With**

50351 , 50752 , 51164

△  
トレードマーク  
TRADE MARK  
回路番号 1  
CIRCUIT NO.1



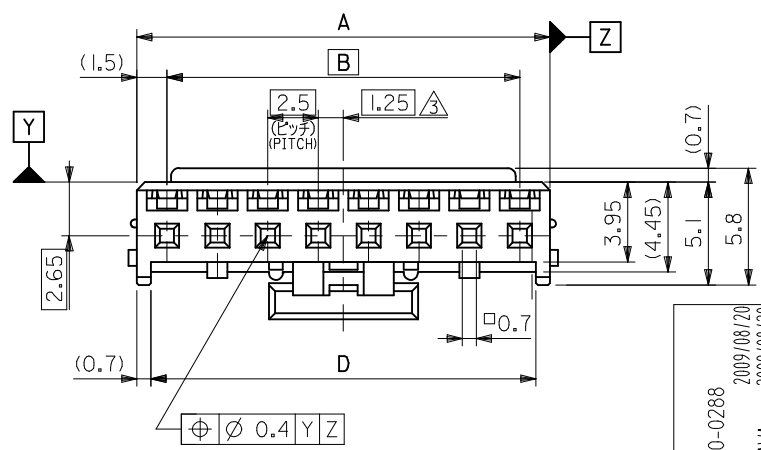
ターミナル装着状態図  
TERMINAL ASSEMBLY DRAWING



△  
キャビティー番号  
及び金型番号  
CAVITY NO.  
AND MODEL NO.

製品番号  
ENG. NO.

12.5	7.4	5	36.6	38.8	35	38	51163-158*	15
↑	↑	↑	34.1	36.3	32.5	35.5	↑ -148*	14
			31.6	33.8	30	33	↑ -138*	13
			29.1	31.3	27.5	30.5	↑ -128*	12
			26.6	28.8	25	28	↑ -118*	11
			24.1	26.3	22.5	25.5	↑ -108*	10
↓			21.6	23.8	20	23	↑ -098*	9
12.5			19.1	21.3	17.5	20.5	↑ -088*	8
			16.6	18.8	15	18	↑ -078*	7
			14.1	16.3	12.5	15.5	↑ -068*	6
			11.6	13.8	10	13	↑ -058*	5
	7.4	5	9.1	11.3	7.5	10.5	↑ -048*	4
	5	3	6.6	8.8	5	8	↑ 51163-038*	3
G	F	E	D	(C)	B	A	MATERIAL AND ORDER No. △	CIRCUIT No.



REVISED  
EC NO: J2010-0288  
DRWN: YG010 2009/08/20  
CHKD: KASAKAWA 2009/08/20  
APPR: NUKITA 2009/08/24

DESCRIPTION  
GENERAL TOLERANCES (UNLESS SPECIFIED)  
10 UNDER ±0.2  
10 OVER 30 UNDER ±0.25  
30 OVER ±0.3  
ANGULAR ±3 °  
DRAFT WHERE APPLICABLE MUST REMAIN WITHIN DIMENSIONS

DIMENSION STYLE  
MM ONLY  
DRAWN BY K. HARADA  
DATE 1997/10/2  
CHECKED BY T. ITO  
DATE 1997/11/12  
APPROVED BY M. FUKUSHIMA  
DATE 1997/11/12  
MATERIAL NO.  
ENTER PART

SCALE 4:1  
DESIGN UNITS METRIC  
THIRD ANGLE PROJECTION  
TITLE 2.5 W/B CONN HSG (POSITIVE LOCK)  
MOLEX MOLEX INCORPORATED  
DOCUMENT NO. SD-51163-\*\*-00  
SHEET NO. 1 OF 2  
THIS DRAWING CONTAINS INFORMATION THAT IS PROPRIETARY TO MOLEX INCORPORATED AND SHOULD NOT BE USED WITHOUT WRITTEN PERMISSION

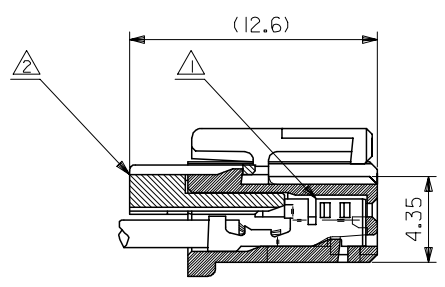
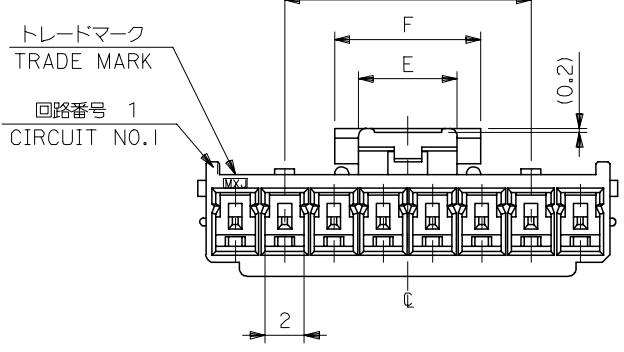
注記 NOTES

- ① 適合ターミナル：5035I-8\*00  
APPLICABLE TERMINAL : 5035I-8\*00
- 2. 嵌合相手：53375,53426 シリーズ  
MATE WITH : 53375,53426 SERIES
- ③ 偶数極の製品に適用。  
APPLY EVEN CIRCUIT PRODUCTS.
- ④ トレードマーク：Mプラス 1 ~ 2 文字のアルファベットにて構成。(例 MXJ)  
但し "J" は JAPAN を示す。  
FORMED BY M AND 1 ~ 2 MORE LETTER OF ALPHABET (e.g. MXJ)  
(TO TRADE MARK), BUT "J" SHOW JAPAN.
- ⑤ キャビティー番号：1桁~2桁の数字  
金型番号：アルファベット1文字にて構成。(例, 1A, 10B)  
FORMED BY 1 DIGIT TO 2 DIGIT NUMBERS (TO CAVITY  
NO.) AND BY 1 LETTER OF ALPHABET (TO MOLD NO.).  
(e.g. 1A, 10B)
- ⑥ MATERIAL AND ORDER No.  
51163-\*\*00  
極数  
CIRCUIT SIZE
- 7. 材料:PBT, UL 94V-0
- 8. 色:白 WHITE (NATURAL)



REVISED EC NO: DRWN:Y.GOTO CHKD:K.SAKAWA APPR: C	DESCRIPTION 2009/08/20	GENERAL TOLERANCES (UNLESS SPECIFIED)		DIMENSION STYLE MM ONLY	SCALE 4:1	DESIGN UNITS METRIC	THIRD ANGLE PROJECTION	
		10 UNDER	±0.2	DRAWN BY K. HARADA	DATE 1997/10/2	TITLE 2.5 W/B CONN HSG (POSITIVE LOCK)		
		10 OVER 30 UNDER	±0.25	CHECKED BY T. ITO	DATE 1997/11/12			
		30 OVER	±0.3	APPROVED BY M. FUKUSHIMA	DATE 1997/11/12	MATERIAL NO.	DOCUMENT NO.	SHEET NO.
ANGULAR ±3 °		DRAFT WHERE APPLICABLE MUST REMAIN WITHIN DIMENSIONS		ENTER PART		MOLEX INCORPORATED SD-51163-**00		
				SIZE A3	THIS DRAWING CONTAINS INFORMATION THAT IS PROPRIETARY TO MOLEX INCORPORATED AND SHOULD NOT BE USED WITHOUT WRITTEN PERMISSION			

10 9 8 7 6 5 4 3 2 1

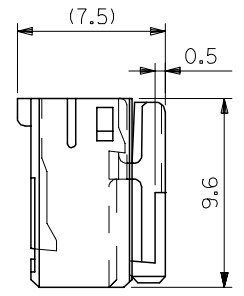
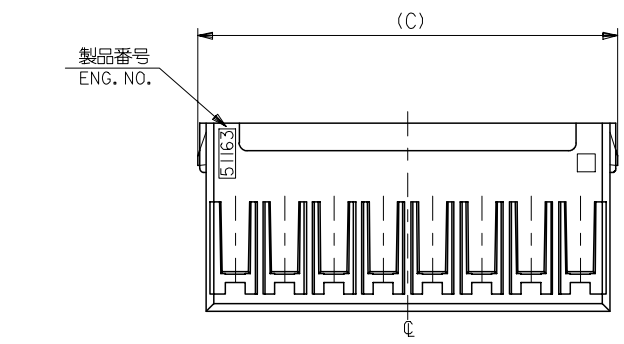


ターミナル及びリテーナー装着状態図  
TERMINAL AND RETAINER ASSEMBLY DRAWING

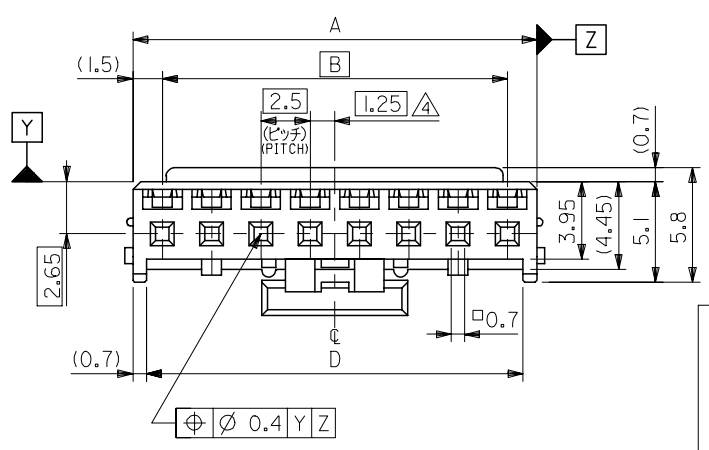
注記 NOTES

- △ 適合ターミナル：50752-8\*00  
APPLICABLE TERMINAL：50752-8\*00
- △ 適合リテーナー：51164-\*\*05  
APPLICABLE RETAINER：51164-\*\*05
- 3. 嵌合相手：53375,53376,53388,53389,53426 シリーズ  
MATE WITH：53375,53376,53388,53389,53426 SERIES
- △ 偶数極の製品に適用。  
APPLY EVEN CIRCUIT PRODUCTS.

3-15 極に適用  
FOR 3-15 CKTS.



						青 BLUE	赤 RED	黒 BLACK	白 NATURAL	COLOR	
12.5	7.4	5	36.6	38.8	35	38	51163-1504	51163-1502	51163-1501	51163-1500	15
12.5			34.1	36.3	32.5	35.5	-1404	-1402	-1401	-1400	14
12.5			31.6	33.8	30	33	-1304	-1302	-1301	-1300	13
12.5			29.1	31.3	27.5	30.5	-1204	-1202	-1201	-1200	12
12.5			26.6	28.8	25	28	-1104	-1102	-1101	-1100	11
12.5			24.1	26.3	22.5	25.5	-1004	-1002	-1001	-1000	10
12.5			21.6	23.8	20	23	-0904	-0902	-0901	-0900	9
12.5			19.1	21.3	17.5	20.5	-0804	-0802	-0801	-0800	8
			16.6	18.8	15	18	-0704	-0702	-0701	-0700	7
			14.1	16.3	12.5	15.5	-0604	-0602	-0601	-0600	6
			11.6	13.8	10	13	-0504	-0502	-0501	-0500	5
			9.1	11.3	7.5	10.5	-0404	-0402	-0401	-0400	4
			6.6	8.8	5	8	51163-0304	51163-0302	51163-0301	51163-0300	3
G	F	E	D	(C)	B	A	MATERIAL NO.	MATERIAL NO.	MATERIAL NO.	MATERIAL NO.	NO. OF CKT

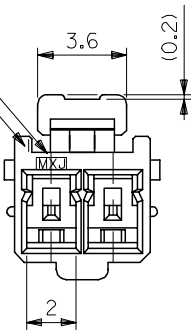


MATERIAL  
PBTP, UL94V-0  
SEE CHART

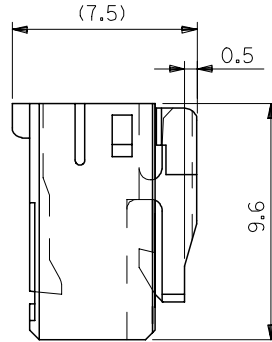
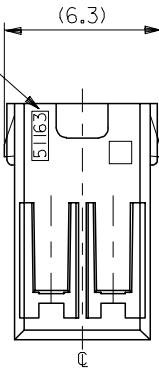
REVISED EC NO: J2005-1394 DRAWN: SASAMOR CHKD: K. TOJO APPR: NUKITA	GENERAL TOLERANCES (UNLESS SPECIFIED)		DIMENSION STYLE MM ONLY		SCALE 4:1	DESIGN UNITS METRIC	THIRD ANGLE PROJECTION		
	10 UNDER ±0.2	10 OVER 30 UNDER ±0.25	30 OVER ±0.3	DRAWN BY J. SASAMO	DATE 2004/8/31	TITLE 2.5 WIRE TO BOARD CONN. HOUSING (POSITIVE LOCK) WITH RETAINER			
	ANGULAR ±3 °			CHECKED BY K. TOJO	DATE 2004/8/31	MOLEX INCORPORATED			
	DRAFT WHERE APPLICABLE MUST REMAIN WITHIN DIMENSIONS			APPROVED BY N. UKITA	DATE 2004/8/31	MATERIAL NO. 51163-***0*	DOCUMENT NO. SD-51163-001	SHEET NO. 1 OF 2	
THIS DRAWING CONTAINS INFORMATION THAT IS PROPRIETARY TO MOLEX INCORPORATED AND SHOULD NOT BE USED WITHOUT WRITTEN PERMISSION									

10 9 8 7 6 5 4 3 2 1

トレードマーク  
TRADE MARK  
回路番号 1  
CIRCUIT NO.1

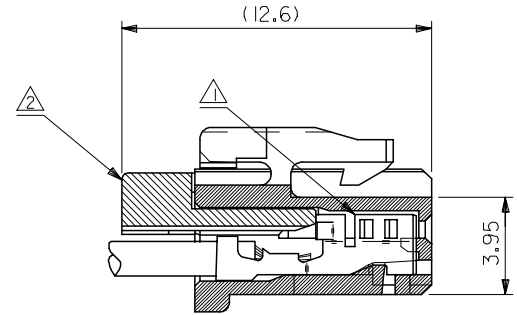


製品番号  
ENG. NO.

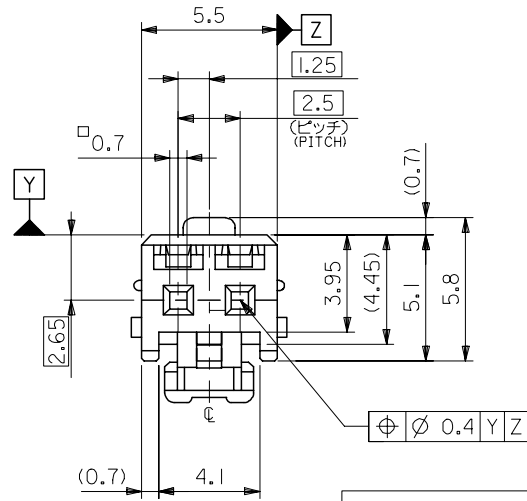


注記 NOTES

- △ 適合ターミナル : 50752-8\*00  
APPLICABLE TERMINAL : 50752-8\*00
- △ 適合リテーナー : 51164-\*\*\*05  
APPLICABLE RETAINER : 51164-\*\*\*05
- 3. 嵌合相手 : 53375,53426 シリーズ  
MATE WITH : 53375,53426 SERIES



ターミナル及びリテーナー装着状態図  
TERMINAL AND RETAINER ASSEMBLY DRAWING



2 極に適用  
FOR 2 CKTS.

青	BLUE	51163-0204	2
赤	RED	51163-0202	
黒	BLACK	51163-0201	
白	NATURAL	51163-0200	
COLOR MATERIAL NO.		MATERIAL NO.	NO. OF CKT.

REVISED EC NO: J2005-1394 DRWN: SASAMOR 2004/11/09 CHKDK: TOJO 2004/11/10 APPR: NUKITA 2004/11/18 A	GENERAL TOLERANCES (UNLESS SPECIFIED)		DIMENSION STYLE MM ONLY		SCALE 5:1	DESIGN UNITS METRIC	THIRD ANGLE PROJECTION	
	10 UNDER	±0.2	DRAWN BY J. SASAMO	DATE 2004/8/31	TITLE 2.5 WIRE TO BORAD CONN. HOUSING (POSITIVE LOCK) WITH RETAINER			
	10 OVER 30 UNDER	±0.25	CHECKED BY K. TOJO	DATE 2004/8/31				
	30 OVER	±0.3	APPROVED BY N. UKITA	DATE 2004/8/31	MOLEX INCORPORATED DOCUMENT NO. SD-51163-001			
	ANGULAR	±3 °	MATERIAL NO. 51163-***0*	DATE				
DRAFT WHERE APPLICABLE MUST REMAIN WITHIN DIMENSIONS		SIZE A3		THIS DRAWING CONTAINS INFORMATION THAT IS PROPRIETARY TO MOLEX INCORPORATED AND SHOULD NOT BE USED WITHOUT WRITTEN PERMISSION				

MATERIAL  
PBTP, UL94V-0  
SEE CHART